



## Decking Installation Instruction

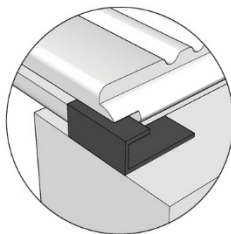
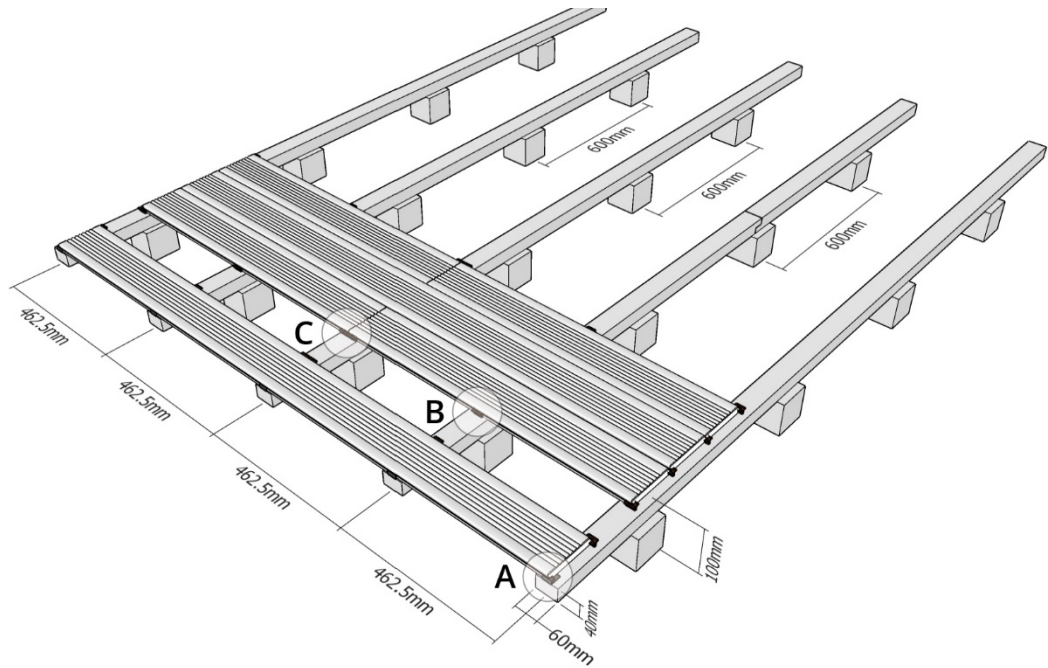


## Preparation before installation

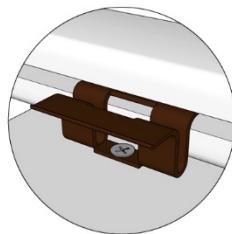
1. Water logging under the decking must be avoided by preparing a water permeable ground structure. This can be achieved by sand layers and gravel

dispersion above.

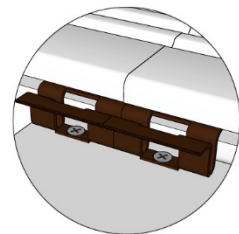
2. Use cement/stone tiles 40-50 mm thick or pedestals, to support the sub frame. See drawing 1.



A



B



C

Drawing 1.

3. Install the decking boards with a slope of 1-2% to enable water to run off the

surface.

4. Ensure good ventilation of the decking



by keeping at least 20 mm space at walls and obstacles and avoid closing the terrace on the sides.

5. There should be at least 100 mm distance between the decking and the surface underneath the floor.

6. The safety seam of 3-6mm should be left between the adjacent floors. The fastener will automatically adjust the safety gap when installed with special fasteners.

7. Heavy bamboo outdoor porcelain tile floor end and both ends with trellis design, no longer need to leave safety seams.

**dassoXTR dassoCTECH** *for Exterior Use*

8. Use sub frame joists with the minimum size of 40x60 mm. Suitable joists are those with the same durability class as the decking; if using steel frame, the min. thickness is 2mm.

9. Install the boards on sub frame joists with 462.5 mm space between the joists (center-to-center).

10. Other sub frame joists should be installed with 5-8mm distance between the end of the joists.

11. The factory after waxing the decking end, can prevent moisture infiltration, but the cut decking must be closed treatment.

## **Matters need attention**

1. The dasso Fused bamboo board is a natural forest product, which varies in color, grain and appearance. Color can change fast from original to brown or grey, depending on the maintenance schedule.

2. Cracks and splinters on the surface and on the end of the boards will arise from the different drying characteristics of the surface and cross cut ends. Besides this, the surface gets rough. This phenomenon is normal for most wood species and is

minimized for this product by its patented treatment production method. Head sides cracks can be further minimized by applying wax on cross end sides of the cut boards.

3. Dimensional change or cupping of the boards can occur after installation. This phenomenon is normal for most wood species and is minimized for this product by its patented treatment process.

4. When using the flat side of the boards as surface, please note that deformation



under influence of climate will be significantly more visible. Deformation of

the surface is not considered to be fault of the material.

## Option1: Clip Installation

1. Determine the surface side of the boards (reeded or flat surface).
2. Use fasteners or other suitable fasteners in the following sequence.
3. Press fastener in the groove of one decking board.
4. Tighten the screw in the fastener and the sub beam.
5. Use approx. 20/17/14 fasteners per m<sup>2</sup>, this is depending on the type or board 137/155/178mm wide. When the tongue and groove are connected on the sub beam preferably use 2 fasteners, 1 for every board.
6. Only use the included stainless steel decking screws (4.5x30mm).

## Option2: Screw down installation

1. Determine the surface side of the boards (reeded or flat surface).
2. Pre-drill the screw holes 20mm from the side of the board. Be sure to pre-drill with a large enough drill to avoid cracking of the decking.
3. Always screw both sides (left and right) of the board.
4. Use stainless steel decking screws (5x50mm).

## Maintain after installation

1. The decking must be cleaned and maintained at least once a year. Please use WOCA outdoor decking cleaner, silicon trioxide cleaning brush and sand tray to clean the floor. Please read the manual of WOCA oil for details. Adjust cleanliness times depending on climate and usage.
2. When there is liquid stain on the floor, rinse the decking with clear water, and then dry it fully.
3. It is advisable to keep the deck clear of dust and dirt as much as possible (sweep regularly).



## Storing

Store daassoXTR & dassoCTECH in a dry, cool place protected against dust and direct sunlight.

## Additional note

Whilst all due care is taken to ensure the accuracy of the installation instructions, individual circumstances (location, sub floor and installation procedures) may vary and are beyond the manufacturer's control. In case of doubt, therefore, consult the distributor.